



COMPACT 10 DX COMPACT 12 DX



Outstanding rough terrain driving features

- 4 wheel drive
- Automatic differential lock
- Excellent gradeability (40%)
- Ground clearance of 27 cm

Robust and easy to maintain

- Outriggers positioned within the machine footprint
- Durable and reliable upper control box
- Optimized accessibility to components
- Built-in diagnosis tool

Exceptional productivity

- Full proportional controls
- Narrow turning radius
- One switch to deploy and retract 4 outriggers



www.haulotte.com

Haulotte 
GROUP

More than lifting



COMPACT 10 DX / COMPACT 12 DX

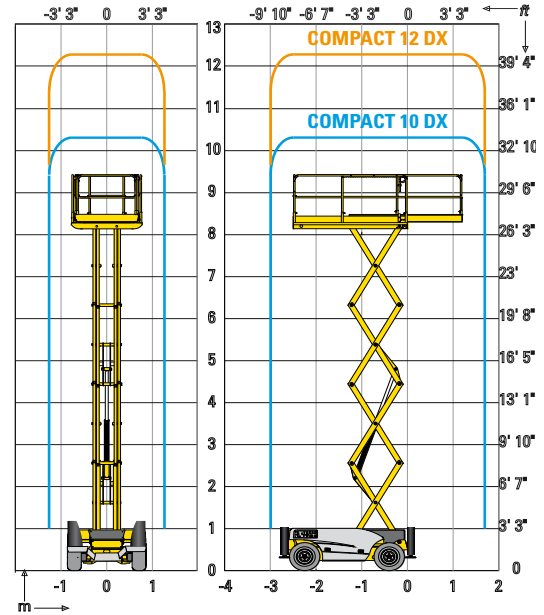
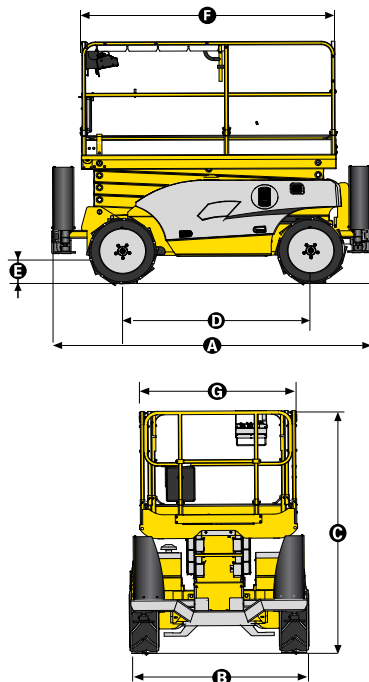
ROUGH TERRAIN SCISSOR LIFTS



TECHNICAL DATA

Compact 10 DX Compact 12 DX

Working height	10.15 m	12.15 m
Platform height	8.15 m	10.15 m
Lift capacity	565 kg	450 kg
A Length	3.17 m	3.17 m
B Width	1.8 m	1.8 m
C Height - stowed	2.43 m	2.55 m
Storage height	1.57 m	1.7 m
F Platform length	2.5 m	2.5 m
Extended platform length	3.7 m	3.7 m
Platform extension length	1.2 m	1.2 m
G Platform width	1.54 m	1.54 m
D Wheelbase	1.87 m	1.87 m
E Ground clearance	27 cm	27 cm
Number of extensions	1	1
Drive speed	0,8 - 5,5 km/h	0,8 - 5,5 km/h
Turning radius - outside	3.5 m	3.5 m
Lift/ lower speed	35 s / 46 s	40 s / 51s
Engine	18.5 kW - 24.8 hp	18.5 kW - 24.8 hp
Gradeability	40 %	40 %
Tires - foam-filled	26x12-16.5	26x12-16.5
Hydraulic system capacity	75 l	75 l
Weight	3440 kg	4060 kg



STANDARD EQUIPMENT

- Kubota engine
- 4 wheel drive, 2 wheel steer
- 3° Tilt alarm
- 1,2m platform extension
- 12V - 74 Ah Batteries
- Removable operator's control box
- Brake release
- Hourmeter
- Towing hooks
- Hydraulic brakes
- Manual platform lowering valve
- Foam filled all terrain tyres
- Automatic levelling outriggers
- Side shields
- Horn
- Lanyard attachment points

OPTIONS AND ACCESSORIES

- Non marking tyres
- Rotating beacon
- 110 V power to the platform
- Travel alarm
- Motion alarm for movements and translation
- Working light
- Catalytic exhaust
- Biodegradable oil
- Cold Weather Package
- Swing-door gate
- Foldable guard-rails
- Hydraulic generator 3.5 kW

400017270 - Non contractual document - We reserve the right to modify the technical characteristics of this document without notice - 07/2013

UNITED
Forklift and
Access Solutions

131 607

www.unitedequipment.com.au

SALES | RENTALS | SERVICE | PARTS | FINANCE | TRAINING
Perth | Bunbury | Melbourne | Ballarat | Sydney | Brisbane | Darwin